

Original instructions

ELECTRICAL LAWN MOWER

LM-C3210



WARNING: Read thoroughly the instruction handbook before using this machine.

DESCRIPTION OF THE SYMBOLS

Symbols are used in this manual to attract your attention to possible risks. The safety symbols and the explications which accompany them must be perfectly understood. The warning themselves do not prevent the risks and can not be a substitute for proper methods of avoiding accidents.



This symbol, before a safety comment, indicates a precaution, a warning or a danger. Ignoring this warning can lead to an accident for yourself or for others. To limit the risk of injury, fire, or electrocution always apply the recommendations indicated.



WARNING: Read operator's manual.

Before any use, refer to the corresponding paragraph in the present manual.



In accordance with European regulations applicable to this product.



Class II symbol: this appliance is designed with double insulation. It is not necessary to connect it to

earth connection.

IPX4

Degree of protection against water: IPX4.



These symbols indicate the requirement of wearing eye protection, ear protection and gloves when using the product.



Wear safety boots.



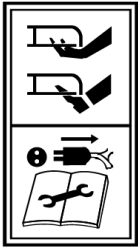
Disconnect the mains plug if the cord becomes damaged or entangled.



Do not expose to rain.



Danger of injury from flying parts! Always maintain a sufficiently safe distance. Beware of thrown objects. Keep bystanders away.



Beware of sharp blades. Blades continue to rotate after the motor is switched off - Remove plug from mains before maintenance or if cord is damaged.



Keep the supply flexible cord away from the cutting blades.



The crossed-out wheeled bin symbol indicates that the item should be disposed of separately from household waste. The item should be handed in for recycling in accordance with local environmental regulations for waste disposal. By separating a marked item from household waste, you will help reduce the volume of waste sent to incinerators or land-fill and minimize any potential negative impact on human health and the environment.

GENERAL SAFETY WARNINGS

IMPORTANT

**READ CAREFULLY BEFORE USE.
KEEP FOR FUTURE REFERENCE.**



- If the supply cord is damaged, it must be replaced by the manufacturer, its service agent or similarly qualified persons in order to avoid a hazard.
- Children should be supervised to ensure that they do not play with the appliance.

Safe operating practices for electrically powered lawnmowers

1. Training

- a. Read the instructions carefully. Be familiar with the controls and the correct use of the machine.
- b. Never allow children or people unfamiliar with these instructions to use the machine. Local regulations can restrict the age of the operator.
- c. Never operate the machine while people, especially children, or pets are nearby.
- d. Keep in mind that the operator or user is responsible for accidents or hazards occurring to other people or their property.

2. Preparation

- a. While operating the machine always wear substantial footwear and long trousers. Do not operate the machine when barefoot or wearing

- open sandals. Avoid wearing clothing that is loose fitting or that has hanging cords or ties.
- b. Thoroughly inspect the area where the machine is to be used and remove all objects which can be thrown by the machine.
 - c. Before using, always visually inspect to see that the blade, blade bolt and the blade assembly are not worn or damaged. Replace worn or damaged components in sets to preserve balance. Replace damaged or unreadable labels.
 - d. Before use check the supply and extension cord for signs of damage or aging. If the cord becomes damaged during use, disconnect the cord from the supply immediately. **DO NOT TOUCH THE CORD BEFORE DISCONNECTING THE SUPPLY.** Do not use the machine if the cord is damaged or worn.

3. Operation

- a. Operate the machine only in daylight or in good artificial light.
- b. Avoid operating the machine in wet grass.
- c. Always be sure of your footing on slopes.
- d. Walk, never run.
- e. Mow across the face of slopes, never up and down.
- f. Exercise extreme caution when changing direction on slopes.
- g. Do not mow excessively steep slopes.
- h. Use extreme caution when reversing or pulling the machine towards you.
- i. Stop the blade(s) if the machine has to be tilted for

transportation when crossing surfaces other than grass, and when transporting the machine to and from the area to be used.

- j. Never operate the machine with defective guards or shields, or without safety devices, for example deflectors and/or grass collector, in place.
- k. Switch on the motor carefully according to instructions and with feet well away from the blade(s).
- l. Do not tilt the machine when switching on the motor, except if the machine has to be tilted for starting. In this case, do not tilt it more than absolutely necessary and lift only the part, which is away from the operator.
- m. Do not start the machine when standing in front of the discharge opening.
- n. Do not put hands or feet near of under rotating parts. Keep clear of the discharge opening at all times.
- o. Do not transport the machine while the power source is running.
- p. Stop the machine, and remove plug from the socket. Make sure that all moving parts have come to a complete stop.
- q. Stop the machine, and remove the disabling device. Make sure that all moving parts have come to a complete stop
 - Whenever you leave the machine,
 - Before clearing blockages or unclogging chute,

- Before checking, cleaning or working on the machine,
- After striking a foreign object. Inspect the machine for damage and make repairs before restarting and operating the machine.

If the machine starts to vibrate abnormally (check immediately)

- Inspect for damage,
- Replace or repair any damaged parts,
- Check for and tighten any loose parts.

4. Maintenance and storage

- a. Keep all nuts, bolts and screws tight to be sure the machine is in safe working condition.
- b. Check the grass collector frequently for wear or deterioration.
- c. On machine with multi blade, take care as rotating one blade can cause other blades to rotate.
- d. Be careful during adjustment of the machine to prevent entrapment of the fingers between moving blades and fixed parts of the machine.
- e. Always allow the machine to cool down before storing.
- f. When servicing the blades be aware that, even though the power source is switched off, the blades can still be moved.
- g. Replace worn or damaged parts for safety. Use only genuine replacement parts and accessories.

5. Recommendation for class II machine

- a. The machine should be supplied via a residual current device (RCD) with a tripping current of not more than 30 mA.
- b. For your safety, use only extension cords approved for outdoor work and protected against splashing. The extension cable must have conductors of at least 1,5 mm² for a cable length less than 25m and 2,5 mm² if the length exceeds 25m. Before use, always unroll the cable reel. Check the condition of the cable.
- c. Do not pull on the cable to unplug. Protect the cable from heat, oil and sharp edges.

INTENDED USE

The electrical lawn mowers for use in private gardens are mowers whose annual use does not generally exceed 50 hours and that are primarily used for tending grass or lawn areas, but not in public facilities, parks or sports grounds and not for agricultural or forestry use.

TECHNICAL SPECIFICATIONS

Model	LM-C3210
Voltage/Frequency	230 - 240V~, 50Hz
Rated power	1200W
Rated speed	3300min ⁻¹
Cutting width	320mm
Height of cut	25-65mm
Net weight (including engine)	11kg
Grass box capacity	30l
Sound pressure level, L _{pAd}	85dB(A) K=3,0dB(A)
Sound power level, L _{WAd}	96dB(A)
Vibrations	<2,5m/s ² K=1, 5m/s ²

Noise / Vibration Information

Measured sound values determined according to EN 60335-2-77:2010.

Wear ear protection!

Vibration total values (triax vector sum) determined according to EN 60335-2-77:2010.

The vibration emission level given in this information sheet has been measured in accordance with a standardised test given in EN 60335-2-77:2010 and may be used to compare one tool with another.

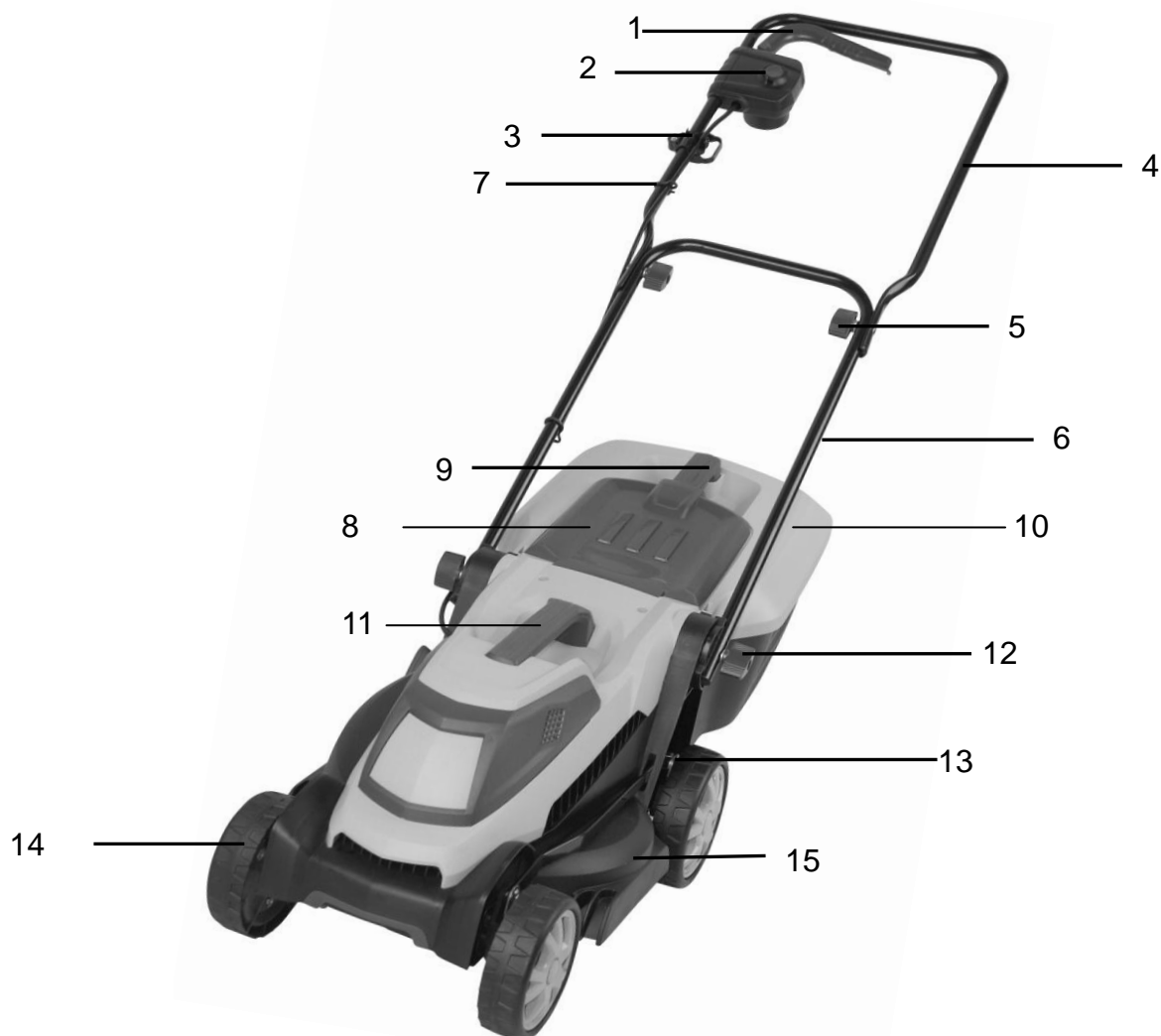
It may be used for a preliminary assessment of exposure.

The declared vibration emission level represents the main applications of the tool. However if the tool is used for different applications, with different accessories or poorly maintained, the vibration emission may differ. This may significantly increase the exposure level over the total working period.

An estimation of the level of exposure to vibration should also take into account the times when the tool is switched off or when it is running but not actually doing the job. This may significantly reduce the exposure level over the total working period.

Identify additional safety measures to protect the operator from the effects of vibration such as: maintain the tool and the accessories, keep the hands warm, organization of work patterns.

LIST OF MAIN PART



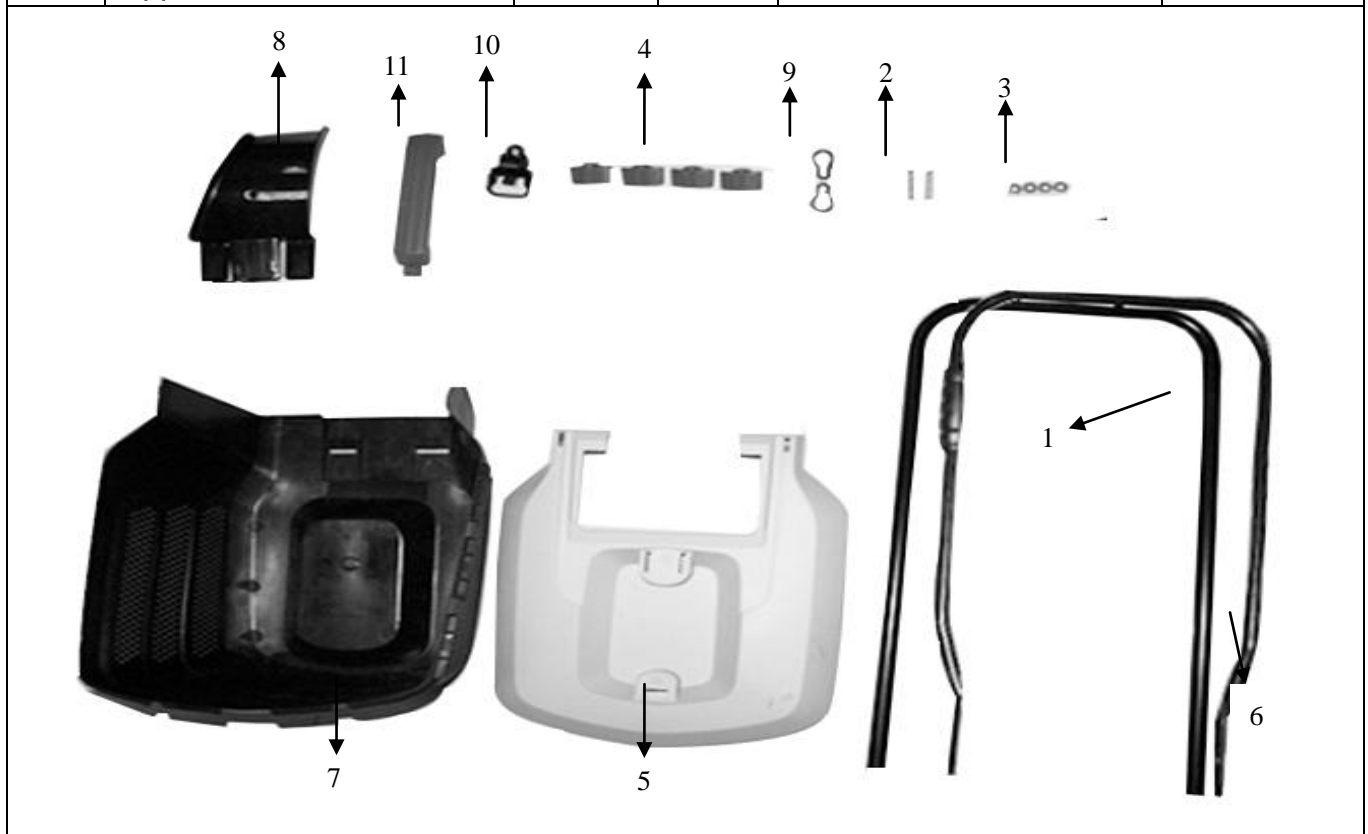
1 Switch lever	2 Safety Button
3 Cable Hook	4 Upper handle
5 Knob module	6 Lower handle

7 Cable clip	8 Safety guard
9 Grip	10 Grass catcher
11 Top handle	12 Knob module
13 Cutting height adjusting lever	14 Wheel
15 Deck	

Delivered items

Carefully remove the machine from its packaging and check that you have all the following items:

No.	description	quantity	No.	description	quantity
1	Lower handle	1	7	Half of grass box	2
2	Bolt	2	8	Tongue	1
3	Washer	4	9	Cable clip	2
4	Knob module	4	10	Cable hook	1
5	Grass box cover	1	11	Grip	1
6	Upper handle	1			



ASSEMBLY

Assembly of switch box

1. Align the groove of switch box (Abb.A-1) to the guide rail, slide the switch box toward the handle's rear. (Abb.A-2)



Abb.A-1



Abb.A-2

2. The switch box is properly assembled only when the clips (Abb.B-1) are aligned with switch box (Abb.B-2) and indication lines are aligned (Abb.B-3), in order to lock the switch box on handle.

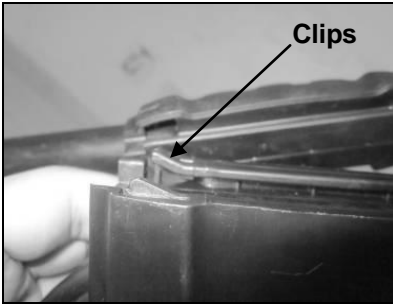


Abb.B-1



Abb.B-2



Abb.B-3

3. After fixing, try to move the switch box in reverse direction to check if the switch box is properly assembled.

Handles assembly



Important! Before you assemble the lawn mower, check the accessories according above information, make sure the accessories are completed.

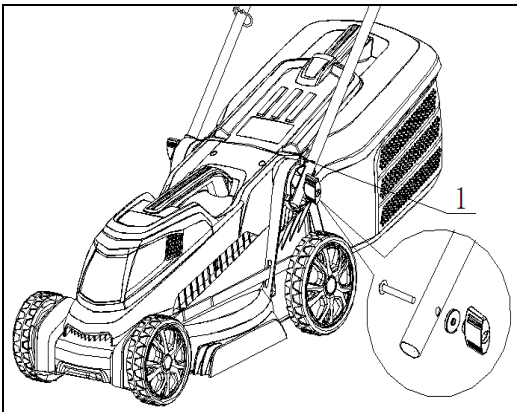


Abb.C-1

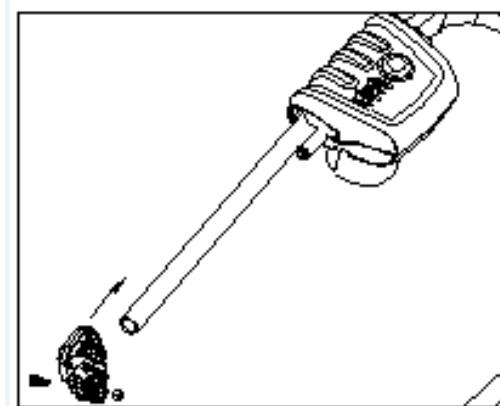


Abb.C-2

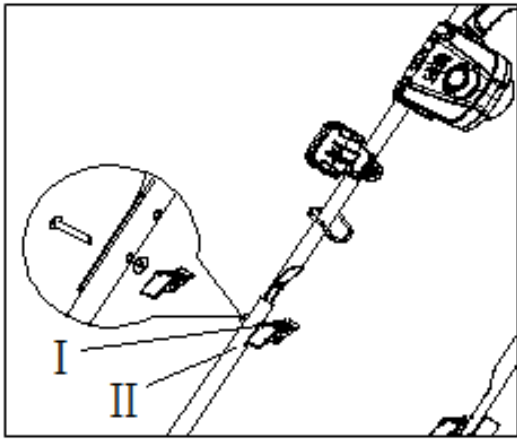


Abb.C-3



Abb.C-4

- ① Insert the lower handle 1 into the Bolts provided in the deck, secure with the Knob module and washer. (Abb.C-1)
- ② Loosen the screw on the cable hook, and attach the cable hook to the upper handle. (Abb.C-2)
- ③ Attach the upper handle with bolts, washer and knob module to the lower handle (Abb.C-3)

Note: Ensure that the cable clips are used to fix the cable to the handle.

Attach cable to cable hook ensuring that sufficient cable slack is available. (Abb.C-4)

Ensure cables are not trapped when folding/unfolding top handles, do not drop the handles.

Assembly of grass box



Abb.D-1



Abb.D-2

1. Assemble the grass box cover.
 - a. Keep the two parts of the catcher as 90° and assemble the two hooks first. (Abb.D-1)
 - b. Starting at the rear of the grass box, fix them together. Ensure all clips are correctly located. (Abb.D-2)

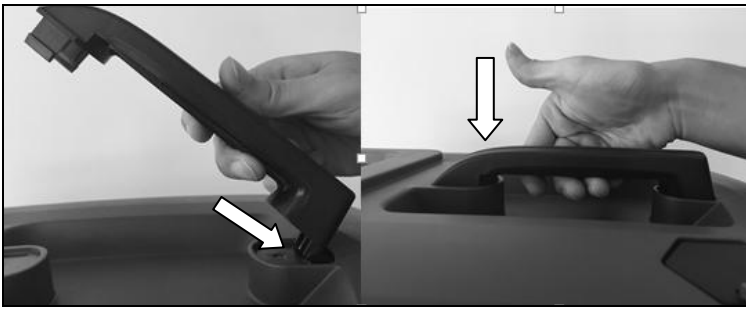


Abb.D-3

2. Assemble the grip onto the upper cover of the catcher (Abb.D-3)



Abb.D-4



Abb.D-5



Abb.D-6

3. Slide the grass box tongue into the slots in the grass box lower until it clicks securely into position. (Abb.D-4)
 4. Fitting fully assembled grass box to lawn mower. (Abb.D-6)
 - a. Lift up the safety guard. (Abb.D-5)
 - b. Make sure the discharge chute is clean and free from debris.
 - c. Locate fully assembled grass box onto location points at the rear of the deck.
 - d. Locate safety guard onto the top of the grass box. Ensure the grass box is installed securely.
- Note: For non-grass collection, the mower can be used without the grass box in position, with the safety guard in the down position.

Adjusting the cutting height



Warning: release switch lever and wait until the motor stops before adjusting height. The blade continues to rotate for a few seconds after the machine is switched off, a rotating blade can cause injury.

For the first cut of the season, a high cutting adjustment should be selected.

Height of cut is adjusted by changing the position of adjusting lever.

To raise the blade height, grasp the height adjustment lever and move it toward the back of mower.

To lower the blade height, grasp the height adjustment lever and move it toward the front of mower.



Abb.E

NOTE:

A medium height of cut is recommended for most lawns.

The quality of your mowing will suffer and collection will be poor if you cut too low.

OPERATION

Power connection

Use only extension cables (max. 50 m), which are suitable for outdoor use according to IEC 60320-2-3. e.g. H07RN-F 3x1,5 mm² down to - 25°C, H07BQ-F 3x1,5 mm² down to - 40°C.

The mains voltage (230-240V) indicated on the rating plate must correspond with the mains power supply.

- 1) Connect the power socket and the plug on the switch housing of the mower.
- 2) To prevent the extension cord from disconnecting during use, tie the end of the extension cord into the cable hook before connecting the plug on the switch housing of the mower. Abb.F

Note: Ensure that the cable hook is used to fix the cable to the handle.

Attach extension cable to cable hook ensuring that sufficient cable slack is available.



Abb.F

Starting and Stopping

Do not rapidly switch on and off.



Make sure the blade stop rotating before switching “on” again.

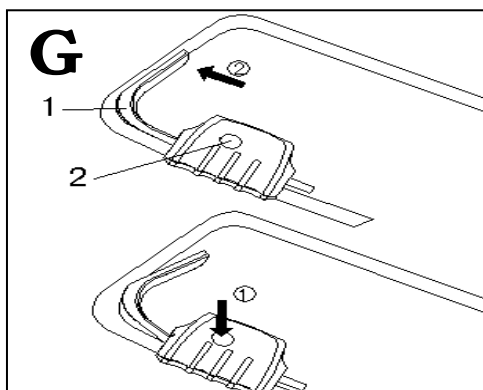


Abb. G

Starting:

- ① Press and hold the safety button **2**. Squeeze the switch lever **1** towards the handle. (Abb.G)
- ② Release the safety button **2**.

Stopping:

Release the switch lever **1**.

Mowing

For cutting convenience, it may be better to start mowing at a point close to the power supply and to work your way away from the supply. Mow the lawn at a right angle from the power supply and place the power cable on the side which has already been cut (Abb.H).

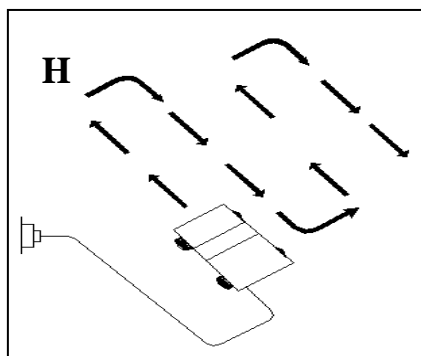


Abb.H



WARNING!

When the motor has been switched off, the cutter continues running for several seconds, therefore do not touch the underside of the mower until the cutter has come to a standstill!



Warning: When mowing, do not allow the motor to work overload. When the motor overload, the speed of the motor drops and you will hear a change in the motor sound, when this occurs, stop mowing, release the switch lever and raise the height of cut. Failure to do so could damage the machine.

NOTE: the motor is protected by a safety cut-out which is activated when the blade becomes jammed or if the motor is overloaded. **When this occurs, stop the machine and remove the plug from the power supply. The safety cut-out will only reset when the switch lever 1 is released. Clear any obstruction and wait for a few minutes for the safety cut-out to reset before**

continuing to mow, at this time, do not operate the switch lever 1 as this will prolong the reset time of the safety cut-out. If the mower cuts out again, increase the height of cut to reduce the load on the motor.

Select the cutting height which will suit your desired grass height. If necessary, mow in several layers so that a maximum grass height of 4 cm will be cut in one single pass.

Make sure that you will avoid paths which could hamper free movement of the extension cable.

Empty the grass box once it is full to avoid obstruction of the discharge opening. To avoid obstruction of the discharge opening and unnecessary motor overloading, make sure that you will not move over any grass left on that part of the lawn you have already mowed.

Blade

Always unplug the lawn mower before checking the blade in any way. After you have stopped the motor, remember that the blade will still keep running for a few seconds before it comes to a standstill. Never attempt to stop the blade. Check at regular intervals if the blade is properly fastened, in good repair, and whether it is well sharpened. Regrind or replace it, if necessary.

If the rotating blade hits any object, stop the lawn mower and wait until the blade has completely come to a standstill. Then check the condition of the blade and the blade holder. Immediately replace the blade if it has got damaged.


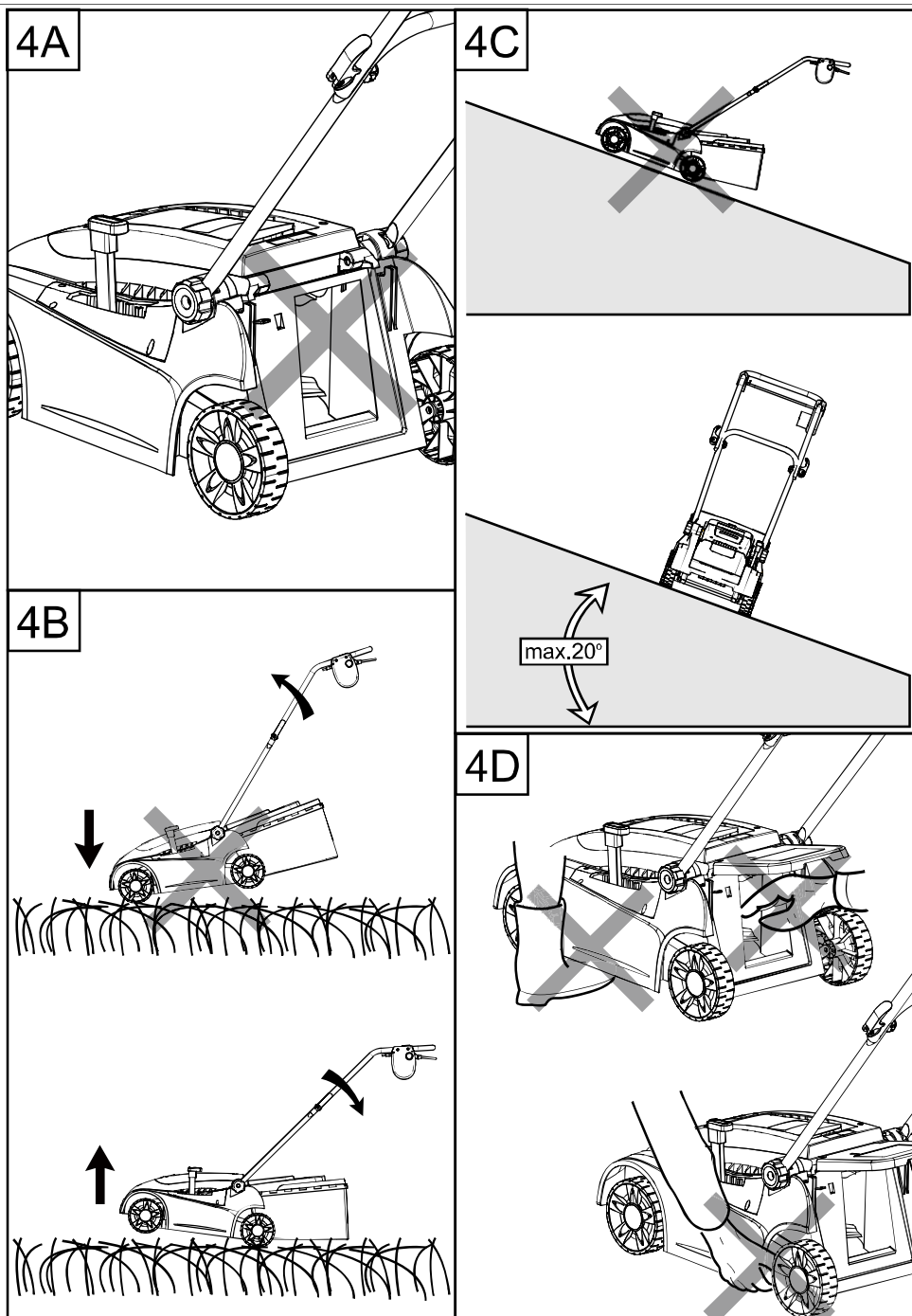

Attention: After the blade is firmly assembled, please make sure the side marked with symbol  is facing to you.(Abb.I)





Abb.I

To avoid possible damage to you, please make sure to follow the below instructions during operation:



 Never use the machine without rear flap or grass box connected. (Abb.4A)

 Do not attempt to lift up the rear part of the machine, instead, to hold up the front part of machine to get the machine re-start when it fails to rotate owing to too strong grass. (Abb.4B)

 On slopes, always mow sideways, never up and down. Avoid extremely steep slopes. (Abb.4C)



Never put your hands or feet near or under rotating parts. Always keep away from the discharge opening, if possible. (Abb.4D)

MAINTENANCE



Warning: Stop the mower and remove the plug from the power supply before remove the grass box.

Before performing any maintenance or cleaning work, Always pull out the mains plug!

Note: To ensure long and reliable service, carry out the following maintenance regularly.

Check for obvious defects such as a loose, dislodged or a damaged blade, loose fittings, and worn or damaged components.

Check that the covers and guards are all undamaged and are correctly attached to mower.

Carry out any necessary maintenance or repairs before operating mower.



Warning: Make sure to turn to professional maintenance agency when replacing the blade.



Warning: Never carry out any assembly operations or adjustments with the power connected to the mower. Always ensure that the power button is in the off position and that the power plug is disconnected from the supply.

Cleaning:

1. Do not spray the unit with water. Ingress of water may destroy the Switch/plug combination unit and the electric motor.
2. Clean the unit with a cloth, hand brush, etc.

Expert inspection is required:

- a) If the lawn mower strikes an object.
- b) If the motor stops suddenly.
- c) If the blade is bent (do not align!)
- d) If the motor shaft is bent (do not align!)

Replacing and re-sharpening the mowing blade at the end of the mowing season, always re-sharpen the mowing blade or, if required, replace the mowing blade with a new one. Always have the mowing blade re-sharpened or replaced by a customer service centre (measurement of imbalance).



Unbalanced blades will cause the lawn mower to vibrate violently-risk of accident!

STORAGE

Disconnect the power cord.

Inspect, repair or replace the power cord if signs wear or damage are present.

Tighten or replace worn, loose, or damaged parts. Clean thoroughly.

Clean the exterior of the machine thoroughly using a soft brush and cloth. Do not use water, solvents or polishes. Remove all grass and debris, especially from the ventilation slots.

Turn the machine on its side and clean the blade area. If grass cuttings are compacted in the blade area, remove with a wooden or plastic implement.

To protect from rust, wipe over all metal parts with an oily cloth or spray with light lubricant.

Store with the extension cord in a locked, dry location where is out of the reach of children to prevent unauthorized use or damage.

Do not place other objects on top of the machine.

Release the Knob module and fold the upper handles.

Ensure cables are not stuck or entangled when folding or unfolding top handles. Do not drop the handle.

TROUBLESHOOTING

The following table gives checks and actions that you can perform if your machine does not operate correctly. If these do not identify/remedy the problem, contact your Service Agent.

Warning: Before performing any maintenance or cleaning work, always pull out the mains plug and wait until the cutter has come to a standstill.

Symptom	Possible	Remedy
Machine fails to operate	Power turned off	Turn power on
	Mains socket faulty	Use qualified socket
	Extension cable damaged	Inspect cable, replace if damaged.
	Mower in long grass	Increase height of cut
	Safety cut out has activated	Allow to cool for a few minutes and increase height of cut At this time do not operate the switch lever 1 as this will prolong the reset time of the safety cut out
Machine functions intermittently	Extension cable damaged	Inspect cable, replace if damaged
	The grass box is full.	Empty the grass box.
	Machine's internal wiring damaged	Contact your service agent
when the machine works not well	Height of cut too low	Increase height of cut (see Adjusting the cutting height)
	Cutting blade blunt	Replace blade
	Underside of machine badly clogged	Clean machine
	Blade fitted upside down	Refit blade correctly
Cutting blade not rotate	Cutting blade obstructed	Clear obstruction
	Blade nut/bolt loose.	Tighten blade nut/bolt
Excessive vibration/noise	Blade nut/bolt loose	Tighten blade nut/bolt
	Cutting blade damaged	Replace blade

EU declaration of conformity

1. Apparatus model/Product

Product: Electrical lawn mower

Type: LM-C3210

Batch or serial number: 1911-2112

2. Name and address of the manufacturer or his authorised representative:

SAS EQUIPEMENT DE LA MAISON-24 rue Auguste Chabrières 75015 PARIS

3. This declaration of conformity is issued under the sole responsibility of the manufacturer.

4. Object of the declaration

Electrical lawn mower

Model: LM-C3210 / **BG SERIE E1**

Rated voltage: 230-240V~, 50Hz

Power: 1200W

Brand: BESTGREEN

5. The object of the declaration described above is in conformity with the relevant Union harmonisation legislation:

2006/42/EC "Machinery"

2014/30/EU "Electro Magnetic Compatibility"

2000/14/EC + 2005/88/EC "Noise outdoor"

2011/65/UE + (UE) 2015/863 "RoHS"

6. References to the relevant harmonised standards used, including the date of the standard:

EN60335-1 :2012+A11 :2014

EN60335-2-77 :2010

EN62233 :2008

EN55014-1 :2006+A1 :2009+A2 :2011

EN55014-2 :2015

EN61000-3-2 :2014

EN61000-3-3 :2013

EN 50581 :2012

7. Additional information:

Measured sound power level: 89.4 dB (A)

Guaranteed sound power level: 96 dB (A)

Conformity assessment procedure concerning directive 2000/14/EC: Annex VI

Organisme notifié(NB 0036)TUV SUD Industrie Service GmbH

Person authorised to compile the technical file:

Lisa Chen - ARENA

Parc de Tréville, 2 allée des Mousquetaires 91078 Bondoufle cedex – France

Signed for and on behalf of:

Place : Alcanena

date of issue 23/08/2019

Signee: